

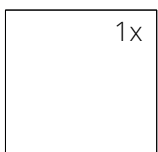
TECHNICAL DATA

Nominal heat output	7 kW
Efficiency	82 %
Smoke flue diameter	150 mm
Min. feed pressure at nominal heat output	12 Pa
Flue-gas temperature	264 °C
Volume flow of combustion products	5,6 g/s
CO emission in burnt gas (in relation to 13 % O ₂)	0,0868 %
Dust in flue - gas (in relation to 13 % O ₂)	19 mg/Nm ³
Fuel consumption per hour	2,05 kg/h
Fuel	wood (beech logs)
Weight	246 kg



LIST OF SPARE PARTS

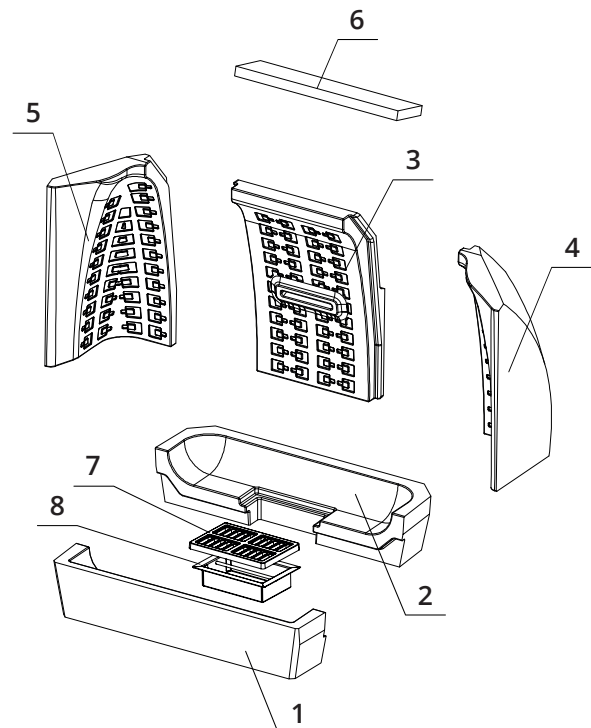
Glass



670 x 468 mm

Set of carcon firebox lining

1. Front bottom
2. Back bottom
3. Back
4. Right side
5. Left side
6. Deflector
7. Cast iron grate
8. Ashtray



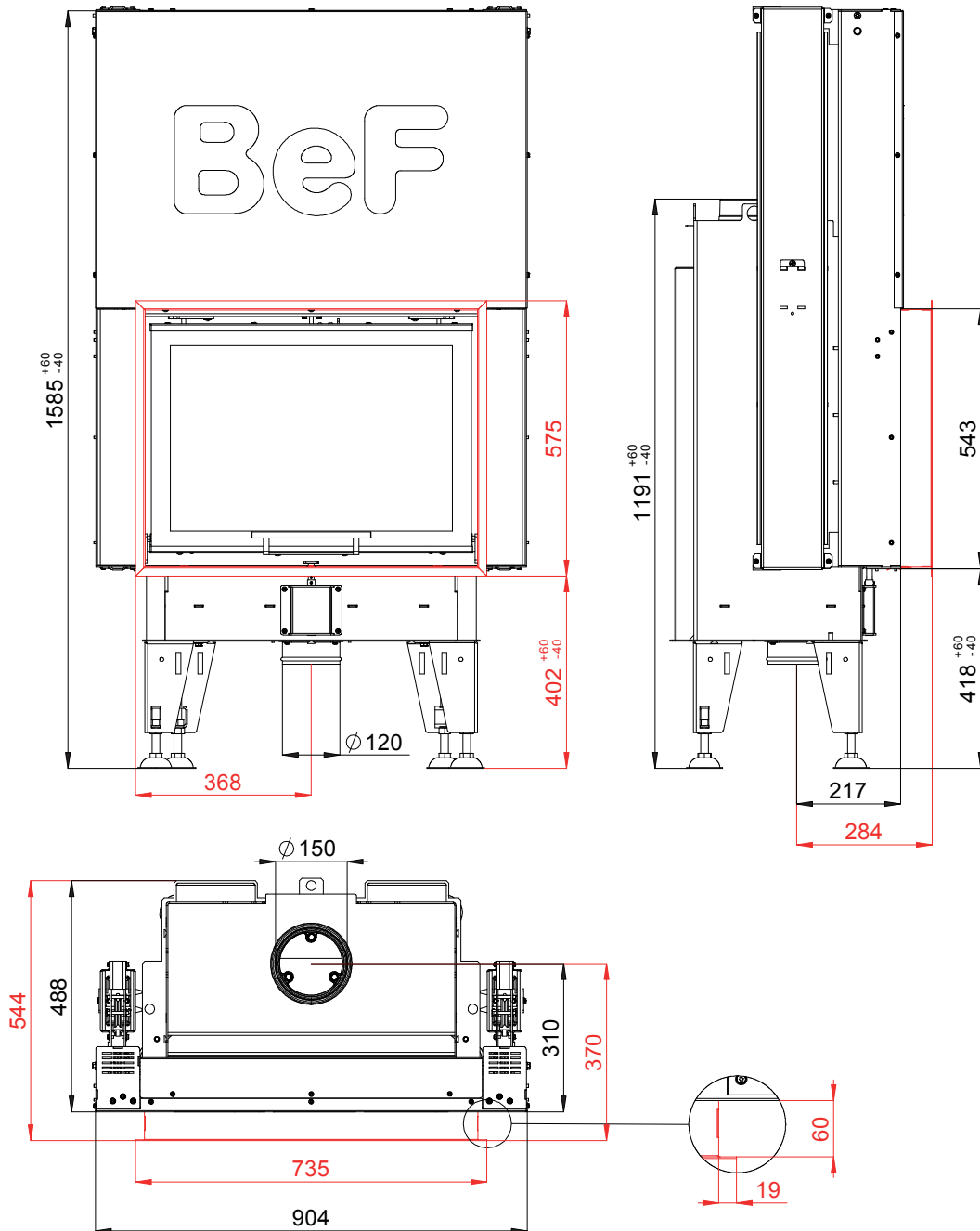
BEF THERM V 7

BlmSchV
Stufe 2

15a
B - VG

ČSN EN
13229

TECHNICAL DRAWING



BEF THERM V 7

BImSchV Stufe 2	15a B - VG	ČSN EN 13229
--------------------	---------------	-----------------

www.befhome.com