

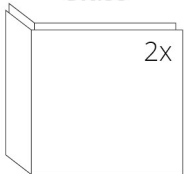
## SPECIFICATIONS

Rated thermal input	4,8 kW
Efficiency	84 %
Smoke flue diameter	150 mm
Min. thrust (under pressure) for rated thermal input	12 Pa
Fuel gas temperature	201 °C
Volume of fuel gas	4,2 g/s
CO emissions in fuel gas (at 13 % O <sub>2</sub> )	0,0893 %
Dust in the fuel gas (at 13 % O <sub>2</sub> )	16 mg/Nm <sup>3</sup>
Volume of fuel per hour	1,48 kg/h
Fuel	wood (beech logs)
Weight	123 kg



## LIST OF SPARE PARTS

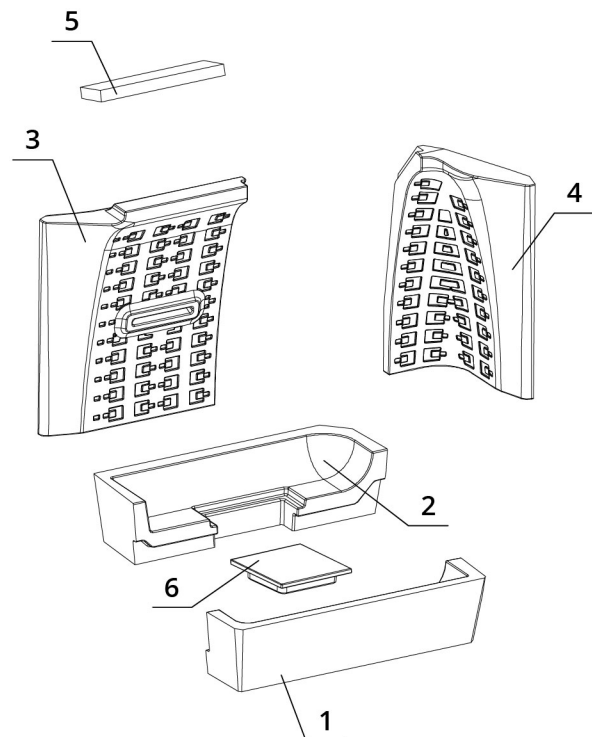
### Glass



600 x 340 x 468 mm

### Carcon stones

1. Front bottom
2. Back bottom
3. Back
4. Side
5. Deflector
6. Carcon blend



# BEF PASSIVE 7 CL

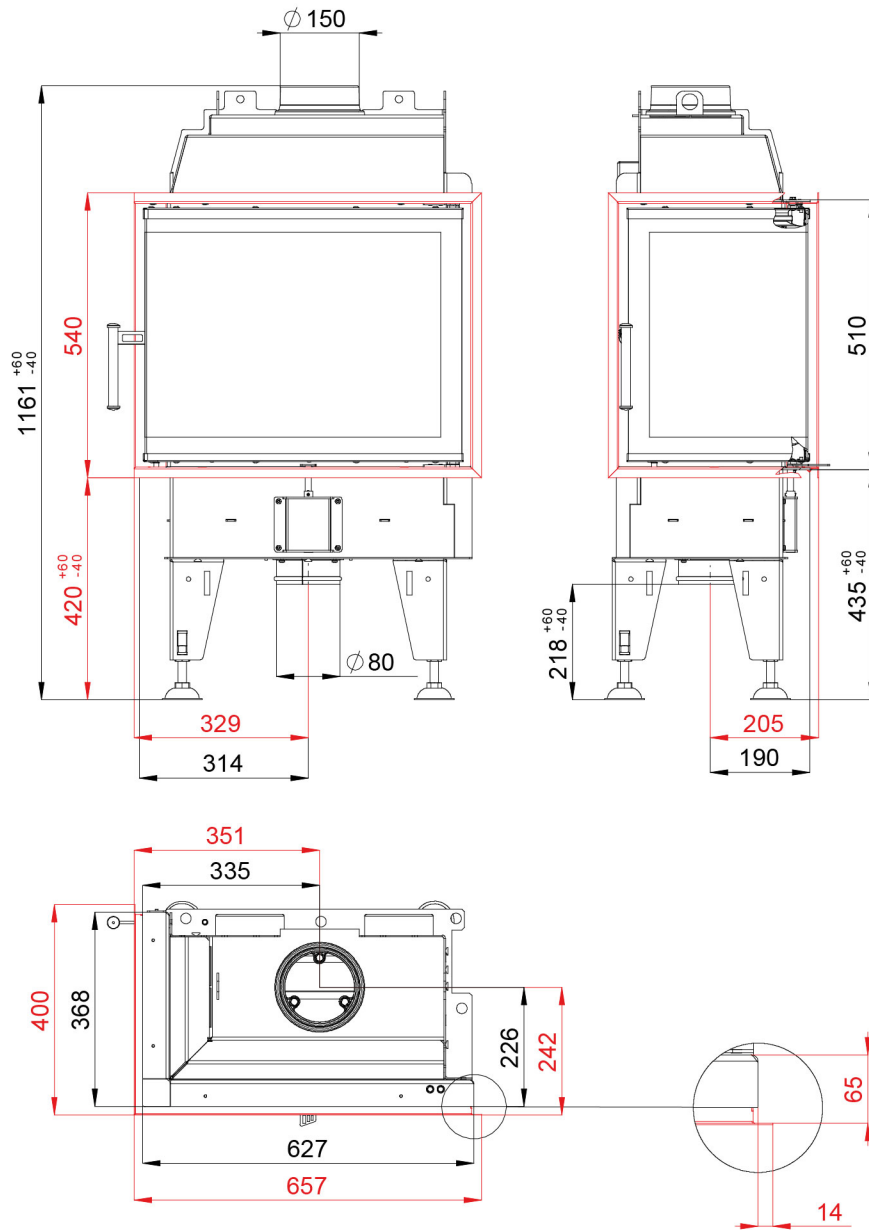
BLOWER DOOR  
TEST

ČSN EN  
13229

eco  
design

www.befhome.com

## TECHNICAL DRAWING



# BEF PASSIVE 7 CL

BLOWER DOOR  
TEST

ČSN EN  
13229

eco  
design

[www.befhome.com](http://www.befhome.com)