

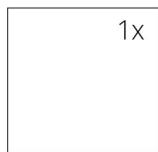
## SPECIFICATIONS

Rated thermal input	7 kW
Efficiency	82 %
Smoke flue diameter	150 mm
Min. thrust (under pressure) for rated thermal input	12 Pa
Fuel gas temperature	232 °C
Volume of fuel gas	6,5 g/s
CO emissions in fuel gas (at 13 % O <sub>2</sub> )	0,0811 %
Dust in the fuel gas (at 13 % O <sub>2</sub> )	18 mg/Nm <sup>3</sup>
Volume of fuel per hour	2,47 kg/h
Fuel	wood (beech logs)
Weight	206 kg



## LIST OF SPARE PARTS

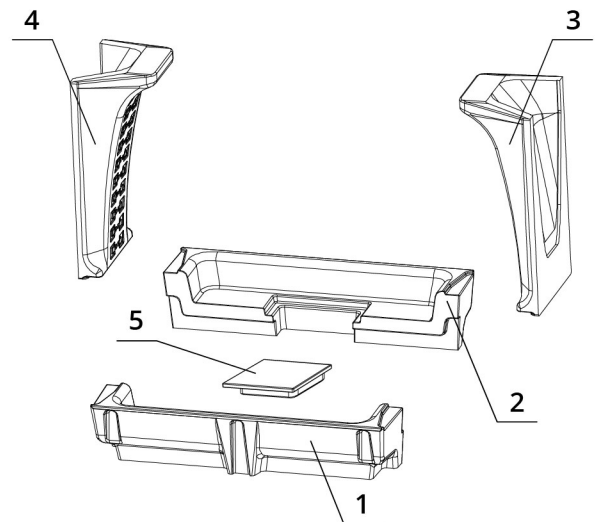
### Glass



670 x 468 mm

### Carcon stones

1. Front bottom
2. Back bottom
3. Right side
4. Left side
5. Carcon blend



# BEF DOUBLE FEEL V 7 N

BImSchV  
Stufe 2

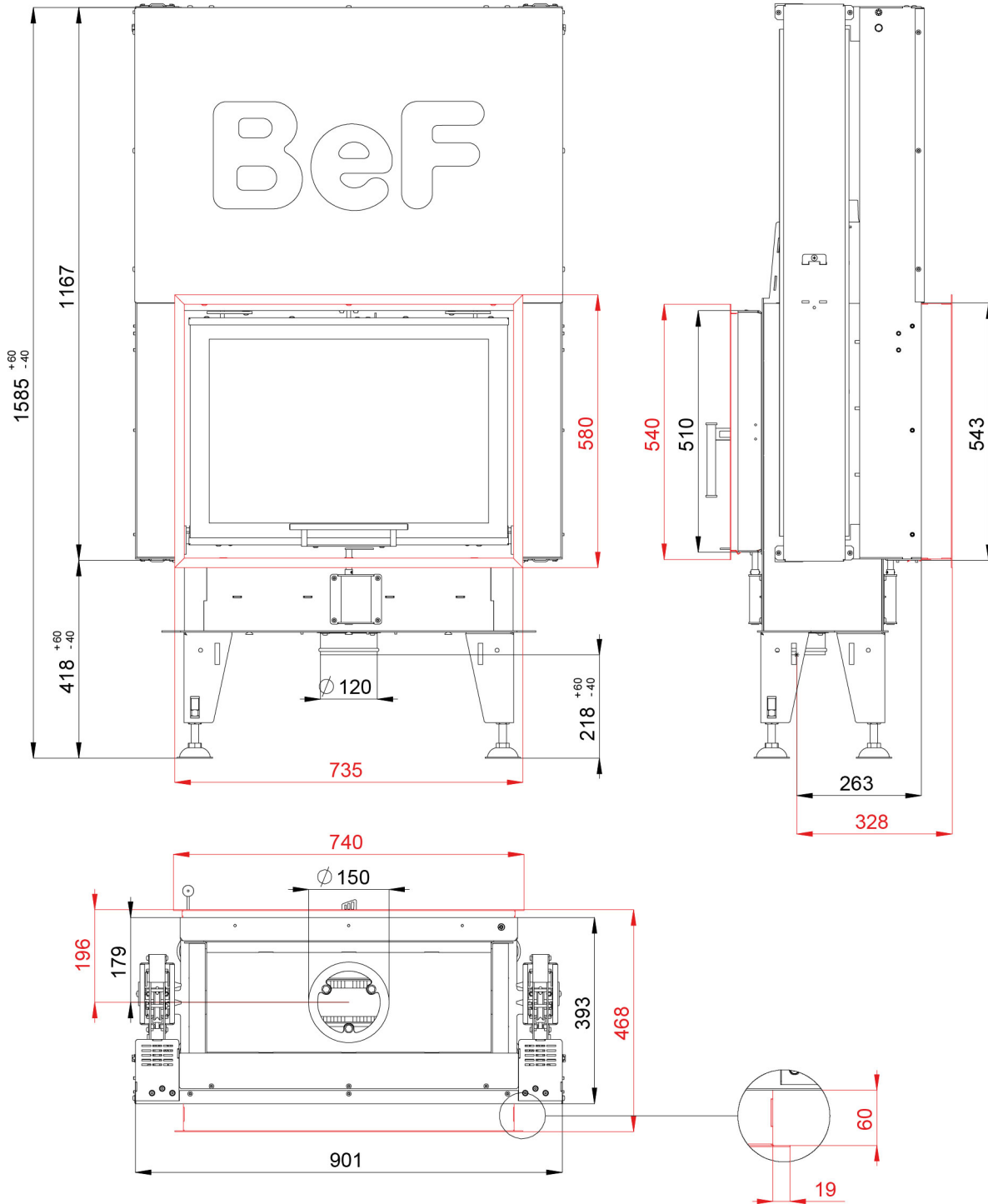
15a  
B-VG

ČSN EN  
13229

eco  
design

[www.befhome.com](http://www.befhome.com)

## TECHNICAL DRAWING



# BEF DOUBLE FEEL V 7 N

BlmSchV  
Stufe 2

15a  
B-VG

ČSN EN  
13229

eco  
design