

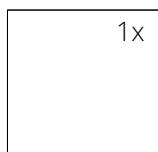
## TECHNICAL DATA

Nominal heat output	13 kW
Efficiency	80 %
Smoke flue diameter	200 mm
Min. feed pressure at nominal heat output	12 Pa
Flue-gas temperature	256 °C
Volume flow of combustion products	12 g/s
CO emission in burnt gas (in relation to 13 % O <sub>2</sub> )	0,0898 %
Dust in flue - gas (in relation to 13 % O <sub>2</sub> )	30 mg/Nm <sup>3</sup>
Fuel consumption per hour	4 kg/h
Fuel	wood (beech logs)
Weight	354 kg



## LIST OF SPARE PARTS

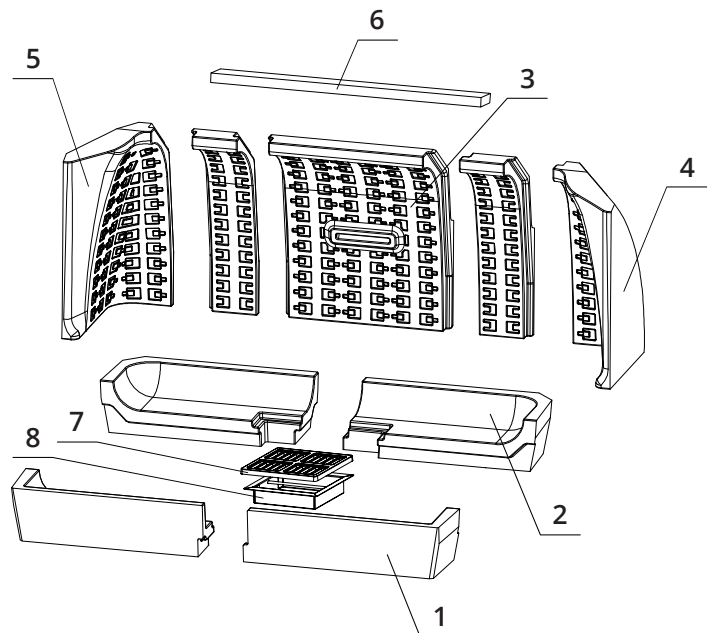
### Glass



1100 x 468 mm

### Set of carcon firebox lining

1. Front bottom
2. Back bottom
3. Back
4. Right side
5. Left side
6. Deflector
7. Cast iron grate
8. Ashtray



# BEF THERM V 12

BlmSchV  
Stufe 2

15a  
B-VG

ČSN EN  
13229

[www.befhome.com](http://www.befhome.com)

