

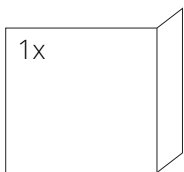
TECHNICAL DATA

| | |
|--|-----------------------|
| Nominal heat output | 13 kW |
| Efficiency | 84 % |
| Smoke flue diameter | 200 mm |
| Min. feed pressure at nominal heat output | 12 Pa |
| Flue-gas temperature | 235 °C |
| Volume flow of combustion products | 10,2 g/s |
| CO emission in burnt gas (in relation to 13 % O ₂) | 0,0877 % |
| Dust in flue - gas (in relation to 13 % O ₂) | 11 mg/Nm ³ |
| Fuel consumption per hour | 3,6 kg/h |
| Fuel | wood (beech logs) |
| Weight | 287 kg |



LIST OF SPARE PARTS

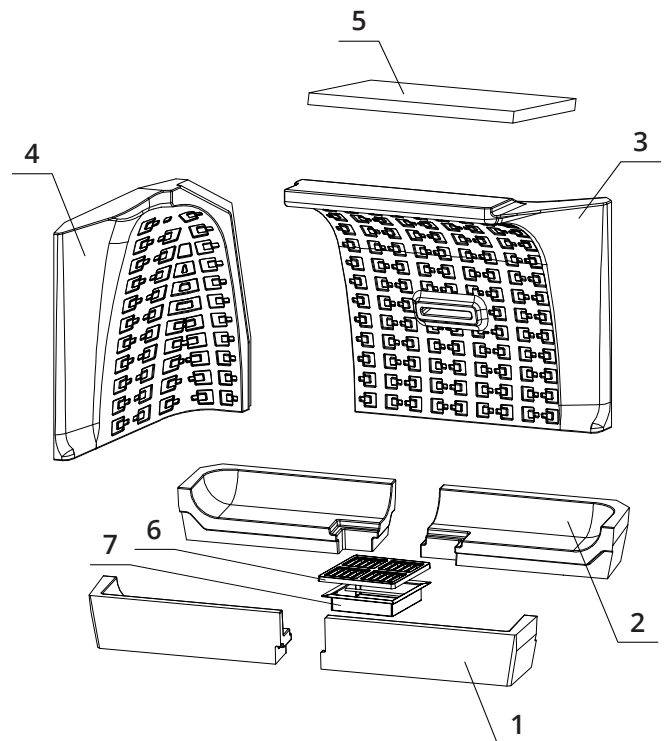
Glass



850 x 430 x 468 mm

Set of carcon firebox lining

1. Front bottom
2. Back bottom
3. Back
4. Side
5. Deflector
6. Cast iron grate
7. Ashtray



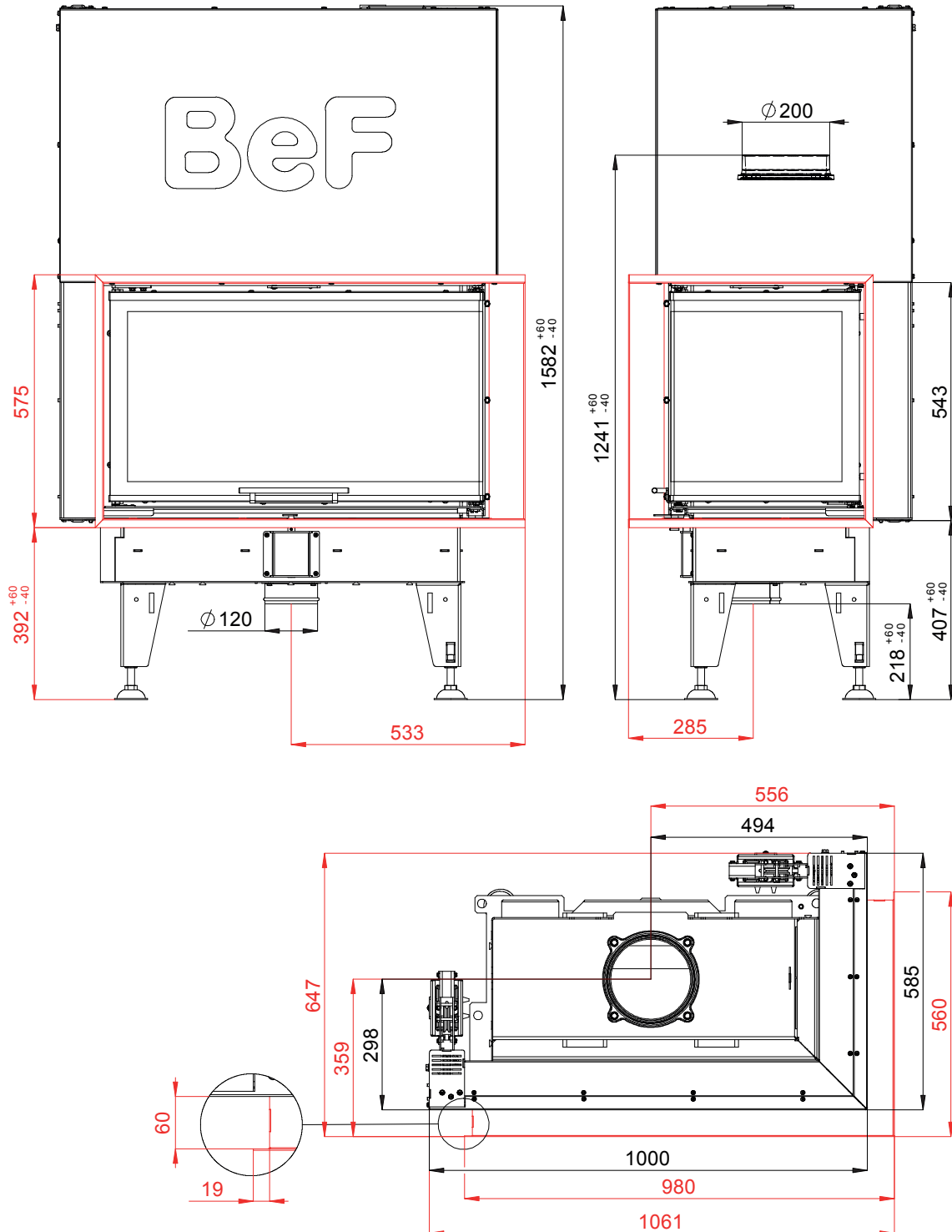
BEF THERM V 10 CP

BlmSchV
Stufe 2

15a
B-VG

ČSN EN
13229

TECHNICAL DRAWING



BEF THERM V 10 CP

| | | |
|--------------------|-------------|-----------------|
| BImSchV Stufe 2 | 15a B-VG | ČSN EN 13229 |
|--------------------|-------------|-----------------|

www.befhome.com