

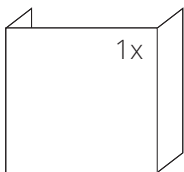
TECHNICAL DATA

| | |
|--|-----------------------|
| Nominal heat output | 6 kW |
| Efficiency | 82 % |
| Smoke flue diameter | 180 mm |
| Min. feed pressure at nominal heat output | 12 Pa |
| Flue-gas temperature | 262 °C |
| Volume flow of combustion products | 4,6 g/s |
| CO emission in burnt gas (in relation to 13 % O ₂) | 0,0873 % |
| Dust in flue - gas (in relation to 13 % O ₂) | 19 mg/Nm ³ |
| Fuel consumption per hour | 1,85 kg/h |
| Fuel | wood (beech logs) |
| Weight | 133 kg |



LIST OF SPARE PARTS

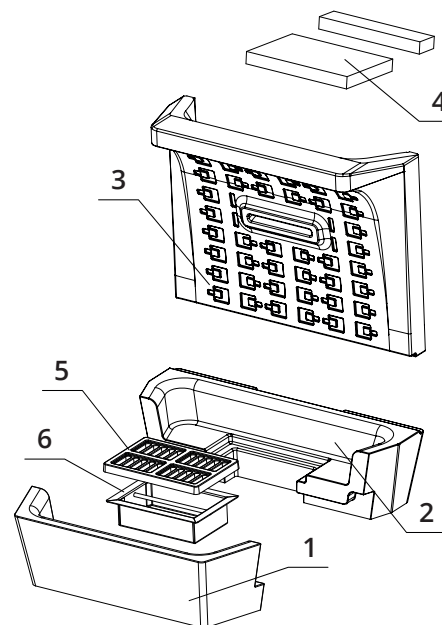
Glass



624 x 250 x 400 mm

Set of carcon firebox lining

1. Front bottom
2. Back bottom
3. Back
4. Deflector
5. Cast iron grate
6. Ashtray



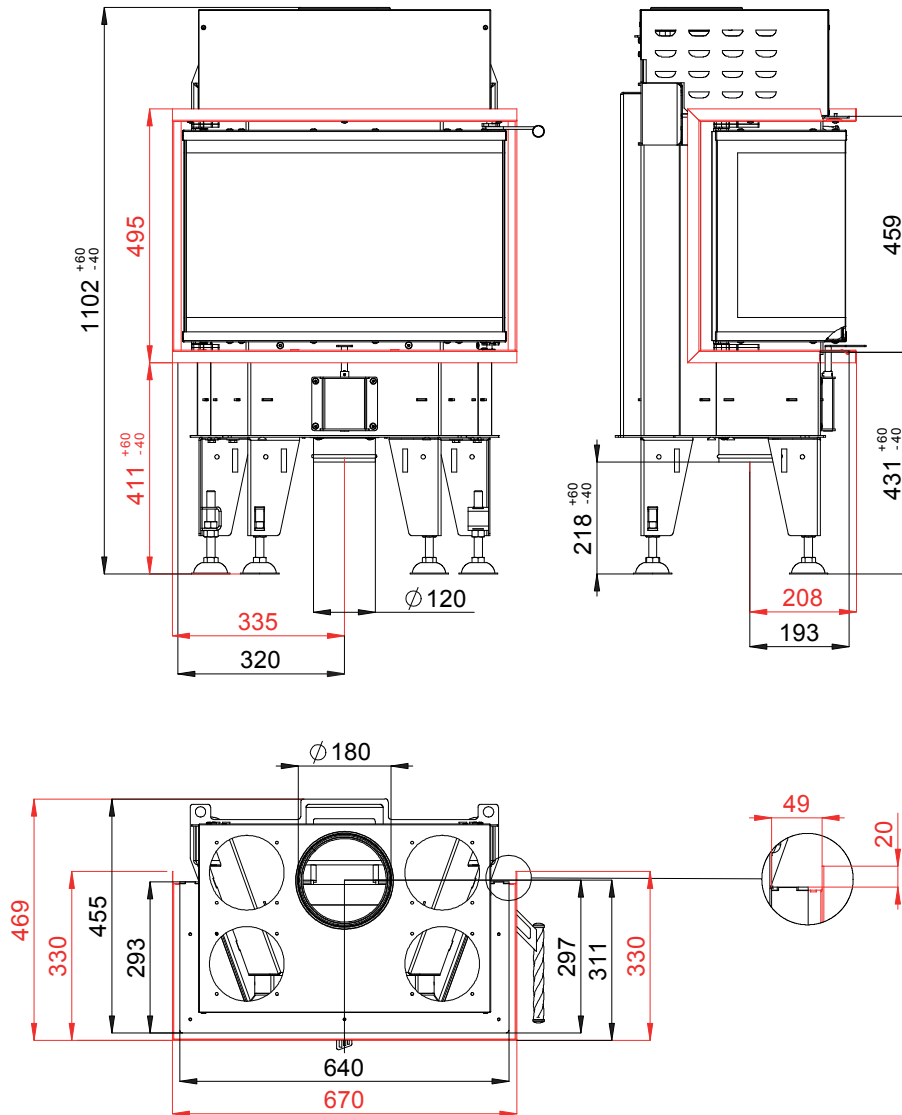
BEF THERM 6 C

BlmSchV
Stufe 2

15a
B - VG

ČSN EN
13229

TECHNICAL DRAWING



BEF THERM 6 C

| | | |
|--------------------|-------------|-----------------|
| BlmSchV Stufe 2 | 15a B-VG | ČSN EN 13229 |
|--------------------|-------------|-----------------|

www.befhome.com